

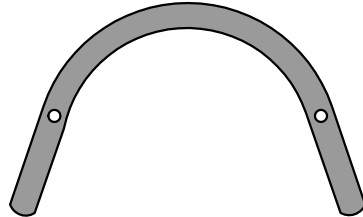


**ASSEMBLY INSTRUCTIONS**

**MODEL # SCS-21 ANCHORAGE CONNECTOR**

**PARTS LIST**

**A. U- BOLT ANCHORAGE CONNECTOR BAR x 1**



**B. COTTER PINS x 2**

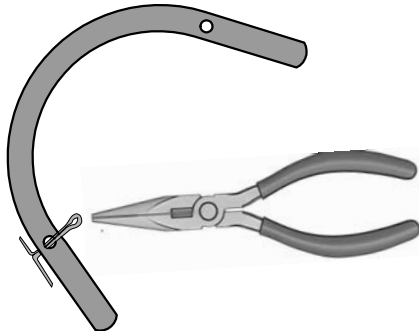


**TOOLS LIST**

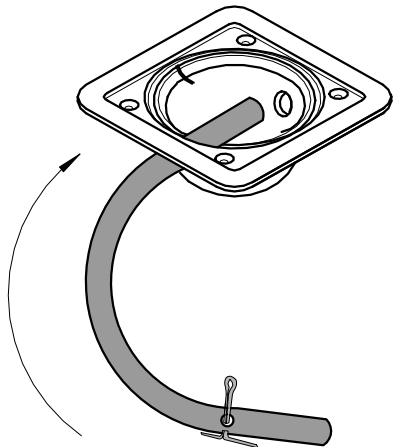
**A. NEEDLE NOSE PLIERS**



**1. INSTALL FIRST COTTER PIN WITH NEEDLE NOSE PLIERS INTO HOLE ON U-BOLT ANCHORAGE CONNECTOR BAR.**



**2. SLIDE BAR THROUGH BOTH HOLES LOCATED ON SIDES OF HOUSING.**



**3. SECURE SECOND RETAINING COTTER PIN WITH NEEDLE NOSE PLIERS INTO HOLE ON U-BOLT ANCHORAGE CONNECTOR BAR ON OPPOSITE SIDE OF HOUSING.**

