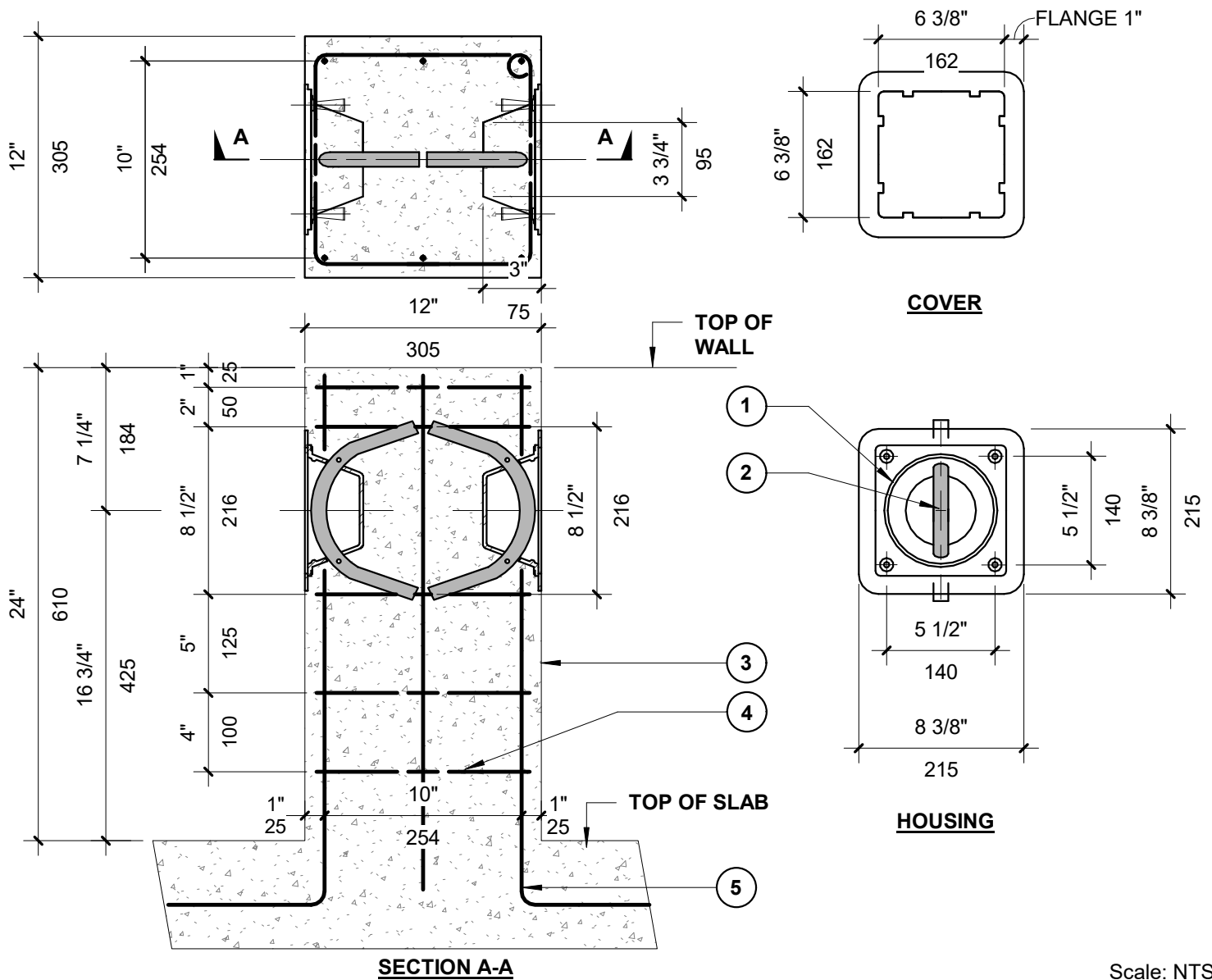


Model# SCS-21-SE-C(P)2

DOUBLE U-BOLT PEDESTAL RECESSED ANCHORAGE CONNECTOR - (Details)



Scale: NTS



DESCRIPTION:

1. POLYPROPYLENE HOUSING c/w COVER
2. 3/4" Dia. (19mm) STAINLESS STEEL ROUND BAR
3. REINFORCED CONCRETE - MIN 30 MPa. BY OTHERS
4. 5 - 10M TIES
5. 6 - 15M

Project No: 2021-10

NOTE: 1. WATERPROOFING BY OTHERS.

SEAL

Date: 2021-09-10 11:47:59 AM

CODE REQUIREMENTS:

1. WORKING LOAD LIMITED 1,000 LBS. (4.4 KN)
2. FOR SUBSTRUCTURE DESIGNER: 5,000 LBS (22 KN) ULTIMATE, IN ANY DIRECTION.
3. MEETS REQUIREMENTS OF U.S. FEDERAL OSHA STANDARD 1910.66, CAN / CSA. STANDARD Z271-10, and WORKSAFEBC REGULATIONS.

Note: This document is the property of Silverline Safety Systems Corp. and in no part herein shall be used, except for the specific project, without the written consent of Silverline Safety Systems Corp. This document does not neither in whole nor in part, constitute any direction nor instruction to any contractor with regard to construction means, methods, or techniques. This document does not constitute any direction to any contractor to proceed from the owner /client. The owner /client exclusively shall be liable for any payment due to any contractor.